

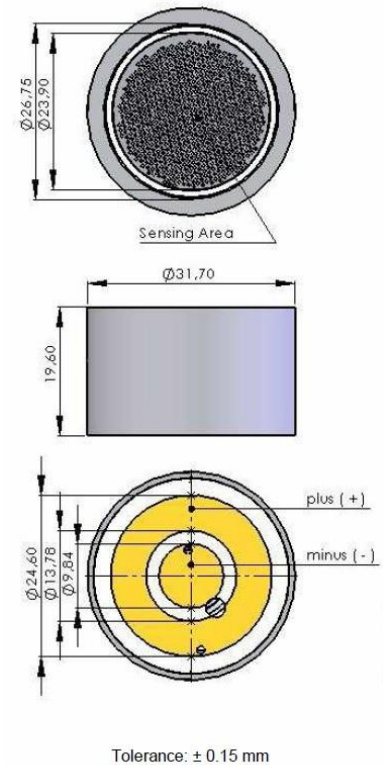
# 16T304 Oxygen Sensor for acidic gases in ppm range



## Key Features

All characteristics are based on conditions at 25°C 50% RH and 1013 hPa

Electrical Connector:	2x slip-rings on PCB
Measurement Range:	1 to 10,000 ppm O <sub>2</sub> 100 to 210000 ppm O <sub>2</sub>
Expected Operating Life:	2 years, depending on humidity and O <sub>2</sub> concentration
Output Signal (delivery condition):	460 mA ± 120 mA @ ambient air
Response Times (in operation):	< 180 s from 10,000 down to 1000 ppm < 10 min from 1,000 down to 10 ppm
Operating Temperatures:	0°C to 50°C
Pressure :	0 – 1 bar
Material in Contact with Media:	PVDF, stainless steel, PTFE



## Storage conditions

Packaging:	sealed nitrogen flushed coated plastic bag
Temperature Range:	0 to 45°C maximum 5 to 25°C recommended
Ambient Pressure:	600 to 1750 hPa
Humidity:	up to 100% RH